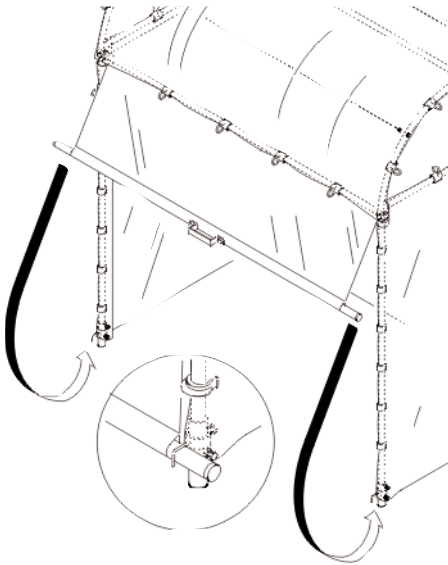


# Tomato House

## Tomato house blind



The Tomato House can be opened and closed in just 2 seconds. The cover rolls up automatically thanks to the incorporated spring mechanism. The blind can be hung in any BB-Tomato House.

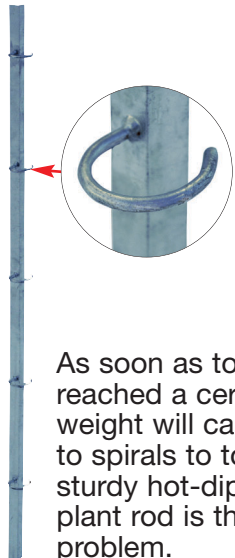
Protection of a utility model No. 20 2004 002  
061.0 European Design protection No.13080

Item No.	For model	Length	Price incl. VAT
THR150	TH 80-150	150 cm	EUR 54.00
THR200	TH 80-200	200 cm	EUR 62.00
THR170	TH 100-175	170 cm	EUR 54.00
THR200	TH 140-200	200 cm	EUR 62.00
THR170	TH 140-340	170 cm	EUR 54.00/2x



Image: TH 100-175 with optional blind

## Plant rod



As soon as tomato plants have reached a certain height, their weight will cause normal tomato spirals to topple over. The sturdy hot-dip galvanized BB plant rod is the solution to this problem.

Item No.	Depth	Length	Height	Material	Price incl.VAT
TH 80 -150A	80 cm	150 cm	180 cm	Alu	EUR 89.00
TH 80 - 150	80 cm	150 cm	180 cm	Steel	EUR 129.00
TH 80 - 151	Spare cover		0.15 mm	PE	EUR 28.00
TH 80 - 200	80 cm	200 cm	200 cm	Steel	EUR 149.00
TH 80 - 201	Spare cover		0.15 mm	PE	EUR 31.00
TH 100 - 175	100 cm	175 cm	210 cm	Steel	EUR 149.00
TH 100 - 176	Spare cover		0.15 mm	PE	EUR 31.00
TH 140 - 200	140 cm	200 cm	220 cm	Steel	EUR 173.00
TH 140 - 201	Spare cover		0.15 mm	PE	EUR 39.00
TH 140 - 340	140 cm	340 cm	220 cm	Steel	EUR 219.00
TH 140 - 341	Spare cover		0.15 mm	PE	EUR 59.00

Prices do not include blind

Item No.	Description	Length	Price incl.VAT
PS1700-6	Set of 6 plant rods	170 cm	EUR 59.00



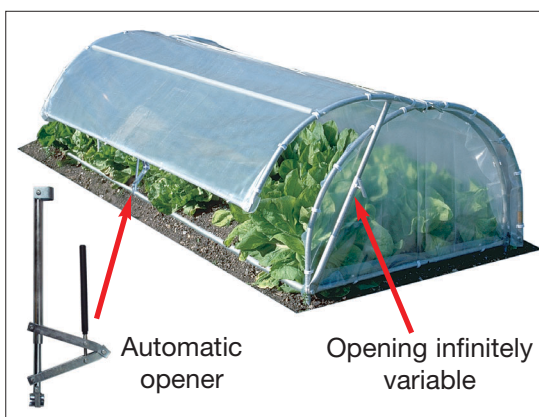
## Berry roof

Do things like the professional berry growers! Protect your berries and cultures from rain and hail. Nicer fruits, larger harvests and fewer illnesses are only a few of the important advantages of covered plants.

The hot-dip galvanised steel construction is also a structure that helps raise the plants in the right direction. You can raise and attach the plants along the tension wires. The UV stable multiannual cover is attached to the outer rods using the special BB clips. These make it easier to assemble and disassemble and the cover can be easily removed and attached during berry season.

Item No.	Width	Length	Height	Material	Price incl. VAT
<b>BD 120 - 150</b>	<b>120 cm</b>	<b>150 cm</b>	<b>200 cm</b>	<b>Steel</b>	<b>EUR 99.00*</b>
BD 120 - 155	Extension	150 cm	200 cm	Steel	EUR 62.00*
BD 120 - 501	Cover	5 m	0,15 mm	PE	EUR 31.00

\*Price does not include cover



## Garden cover

The garden cover consists of hot dip galvanised steel pipes (with the exception of the model **GH 100-150A Aluminium**), mechanical height adjusting cylinder, UV stable multiannual cover as well as special clips for easily attaching and removing the cover. As an accessory you can also attach an automatic opener (no electricity). This automatically opens and closes the cover when the sun shines, according to the temperature.

Item No.	Depth	Length	Height	Material	Price incl. VAT
<b>GH 100 - 150A</b>	<b>100 cm</b>	<b>150 cm</b>	<b>60 cm</b>	<b>Alu</b>	<b>EUR 94.00</b>
<b>GH 100 - 175</b>	<b>100 cm</b>	<b>175 cm</b>	<b>60 cm</b>	<b>Steel</b>	<b>EUR 149.00</b>
GH 100 - 176	Spare cover	1 Set	0.15 mm	PE	EUR 22.00
GH 100 - 177	Autom. opener	temperature controlled		Stahl	EUR 62.00
GH 100 - 178	Insulation cover		transparent	PE	EUR 27.00
GH 100 - 179	Insect net		white, fine woven		EUR 27.00



## Plastic greenhouse

The plastic greenhouse consists of hot-dip galvanised steel pipes, relocatable earth stakes, UV stable greenhouse plastic cover, as well as special clips for easily attaching and removing the multiannual cover. The entrance side is a curtain, a rod and a closure with which the front wall is easily opened and closed. The durable steel construction, easy assembly, and ideal ventilation convince every gardener.

Item No.	Depth	Length	Height	Material	Price incl. VAT
<b>FH 220 - 300</b>	<b>220 cm</b>	<b>300 cm</b>	<b>220 cm</b>	<b>Steel</b>	<b>EUR 299.00</b>
FH 220 - 301	Spare cover	1 Set	0,15 mm	PE	EUR 78.00

Prices in EURO, including VAT, valid as of 1.9.2010. Price and model changes reserved.